

Product data sheet

Characteristics

ILS2K853TC1A0

integrated drive ILS with stepper motor - 24..48 V
- EtherNet/IP - 6 A

Product availability: Non-Stock - Not normally stocked in distribution facility

Price*: 1650.00 USD



Main

Range of product	Lexium integrated drive
Product or component type	Motion integrated drive
Device short name	ILS
Motor type	3-phase stepper motor
Number of motor poles	6
Phase	Single phase
[Us] rated supply voltage	48 V 24 V
Network type	DC
Communication interface	Ethernet/IP, Integrated
Length	7.90 In (200.6 mm)
Winding type	High speed of rotation and medium torque
Electrical connection	Industrial connector
Holding brake	Without
Gear box type	Without
Nominal speed	200 rpm 24 V 400 rpm 48 V
Nominal torque	39.83 Lbf.In (4.5 N.m)
Holding torque	39.83 Lbf.In (4.5 N.m)

Complementary

Transmission rate	125, 250, 500 kbauds
Mounting support	Flange
Motor flange size	3.35 In (85 mm)
Number of motor stacks	3
Centring collar diameter	2.36 In (60 mm)
Centring collar depth	0.08 In (2 mm)
Number of mounting holes	4
Mounting holes diameter	0.26 In (6.5 mm)
Circle diameter of the mounting holes	3.90 In (99 mm)
Feedback type	Index pulse

Shaft end	Untapped
Second shaft	Without second shaft end
Shaft diameter	0.55 In (14 mm)
Shaft length	1.18 In (30 mm)
Supply voltage limits	18...55 V
Current consumption	6000 mA maximum continuous
Associated fuse rating	16 A
Commissioning interface	RS485 Modbus TCP 9.6, 19.2 and 38.4 kbauds)
Input/output type	4 signals (each be used as input or output)
Voltage state 0 guaranteed	-3...4.5 V
Voltage state 1 guaranteed	15...30 V
Discrete input current	10 MA at 24 V safety input 2 MA at 24 V 24 V signal interface
Discrete output voltage	23...25 V
Maximum switching current	100 MA per output 200 MA total
Protection type	Overload of output voltage Short circuit of the output voltage Safe torque off
Peak stall torque	39.83 Lbf.In (4.5 N.m)
Continuous stall torque	39.83 Lbf.In (4.5 N.m)
Speed feedback resolution	20000 points/turn
Accuracy error	+/- 6 arc min
Rotor inertia	3.3 Kg.Cm ²
Maximum mechanical speed	3000 Rpm
Maximum radial force Fr	110 N
Maximum axial force Fa	170 N tensile force) 30 N force pressure)
Service life in hours	20000 H bearing
Marking	CE
Type of cooling	Natural convection
Net weight	10.36 Lb(US) (4.7 kg)

Environment

Standards	IEC 61800-3, Ed 2 EN 61800-3:2001, second environment EN 50347 EN 61800-3 : 2001-02 EN/IEC 50178 EN/IEC 61800-3 IEC 60072-1
Product certifications	UL CUL TÜV
Ambient air temperature for operation	104...131 °F (40...55 °C) with power derating of 2 % per °C) 32...104 °F (0...40 °C) without derating)
Permissible ambient air temperature around the device	221 °F (105 °C) power amplifier 230 °F (110 °C) motor
Ambient air temperature for storage	-13...158 °F (-25...70 °C)
Operating altitude	<= 3280.84 ft (1000 m) without derating
Relative humidity	15...85 % without condensation
Vibration resistance	20 m/s ² 10...500 Hz) 10 cycles EN/IEC 60068-2-6
Shock resistance	150 m/s ² 1000 shocks EN/IEC 60068-2-29
IP degree of protection	Shaft bushing IP41 EN/IEC 60034-5 Total except shaft bushing IP54 EN/IEC 60034-5

Ordering and shipping details

Category	18288 - LEXIUM INTEGRATED DRIVES II
Discount Schedule	PC56
GTIN	03606485205076
Nbr. of units in pkg.	1
Package weight(Lbs)	11.02 Lb(US) (5 kg)
Returnability	No
Country of origin	DE

Packing Units

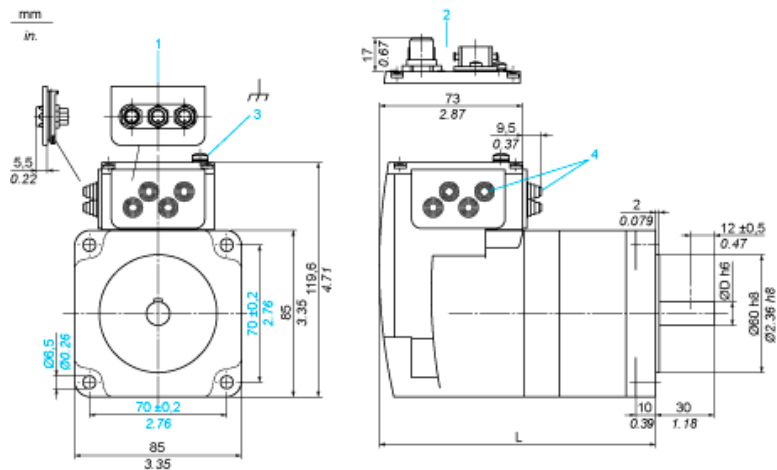
Unit Type of Package 1	PCE
Package 1 Height	4.09 In (10.4 cm)
Package 1 width	7.09 In (18 cm)
Package 1 Length	14.37 In (36.5 cm)

Contractual warranty

Warranty	18 months
----------	-----------

Integrated Drive without Holding Brake

Dimensions

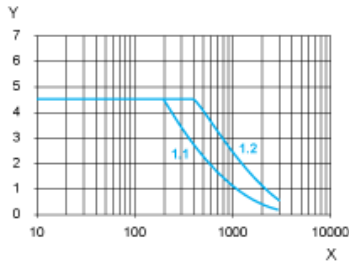


- 1 Accessories: I/O signal insert with industrial connectors
- 2 Option: industrial connectors
- 3 Earth (ground) terminal
- 4 Accessories: cable entries $\text{Ø} = 3 \dots 9 \text{ mm} / 0.12 \dots 0.35 \text{ in.}$
- L 200.6 mm / 7.90 in.
- D 14 mm / 0.55 in.

Connection Example with 4 I/O Signals



Torque Characteristics



X Speed of rotation in rpm
Y Torque in Nm
1.1 Max. torque at 24 V
1.2 Max. torque at 48 V

Product Life Status : Commercialised